

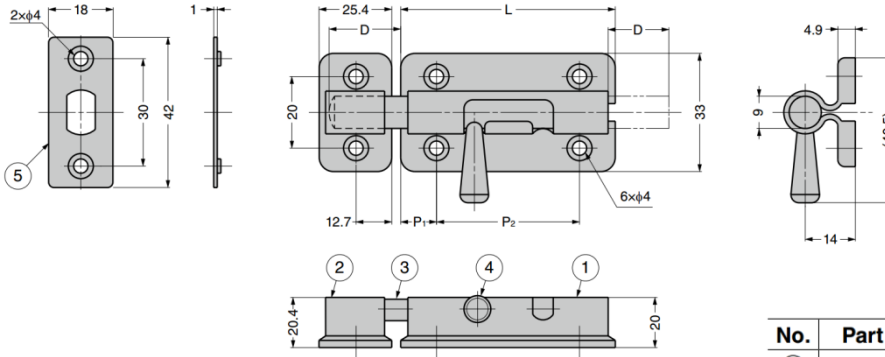
GBLS Spring Loaded Barrel Bolt

Features

- Knob springs back into sleeve to keep bolt in locked or unlocked position
- Can be installed vertically or horizontally
- Two counter plates included for different mountings

Parts Included

- Countersunk head wood screw 3.5×20 (SUS)



Part No.	L	P ₁	P ₂	D
GBLS-60	60	10	40	17
GBLS-90	90	12.5	65	24

No.	Part Name	Material	Finish
①	Body	Stainless Steel (SUS304)	Satin
②	Strike		
③	Bar	Stainless Steel	-
④	Knob	(SUS303)	-
⑤	Counter Plate	Stainless Steel	Satin
-	Spring	(SUS304)	-

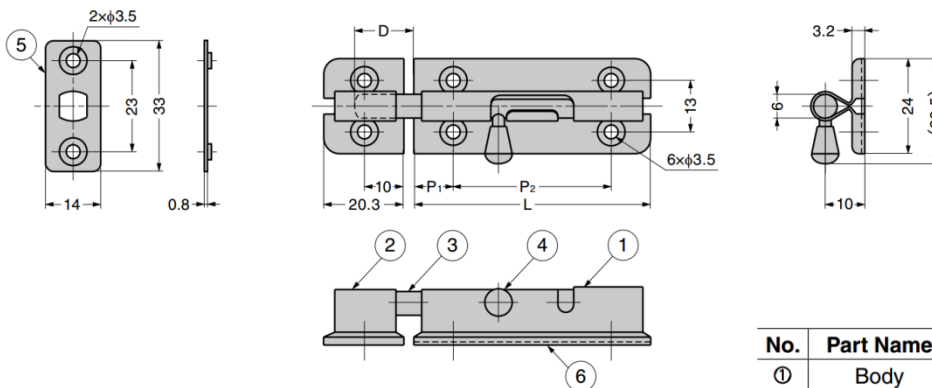
GBL-S Spring Loaded Barrel Bolt

Features

- Knob springs back into sleeve to keep bolt in locked or unlocked position
- Can be installed vertically or horizontally
- Two counter plates included for different mountings

Parts Included

- Countersunk head wood screw 2.7×16 (SUS)



Part No.	L	P ₁	P ₂	D
GBL-40S	40	7.5	25	11
GBL-60S	60	10	40	15

No.	Part Name	Material	Finish
①	Body	Stainless Steel (SUS304)	Satin
②	Strike		
③	Bar	Stainless Steel	Plain
④	Knob	(SUS303)	
⑤	Counter Plate	Stainless Steel	Satin
⑥	Plate	(SUS304)	Polished